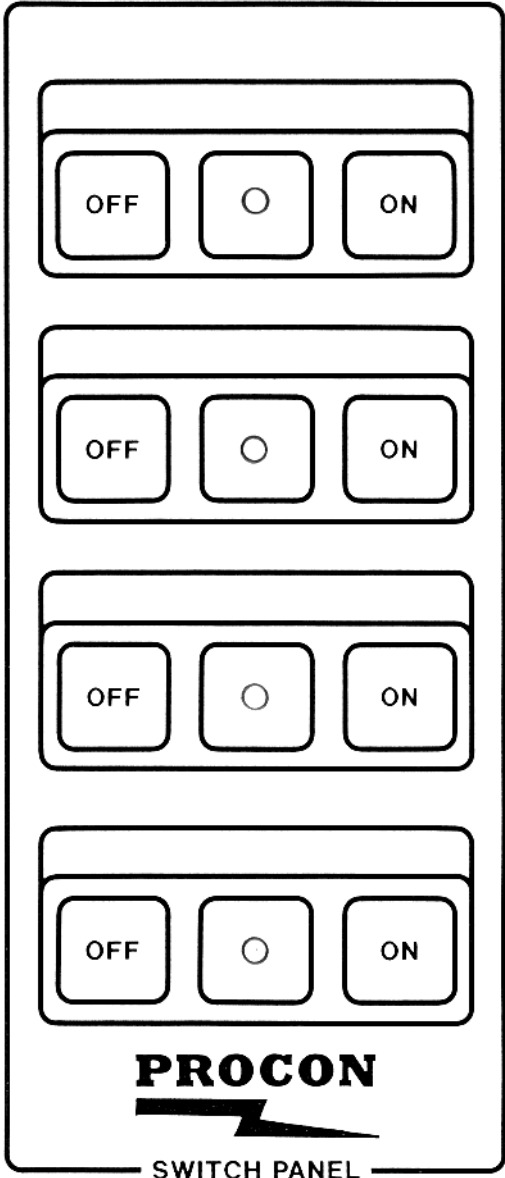
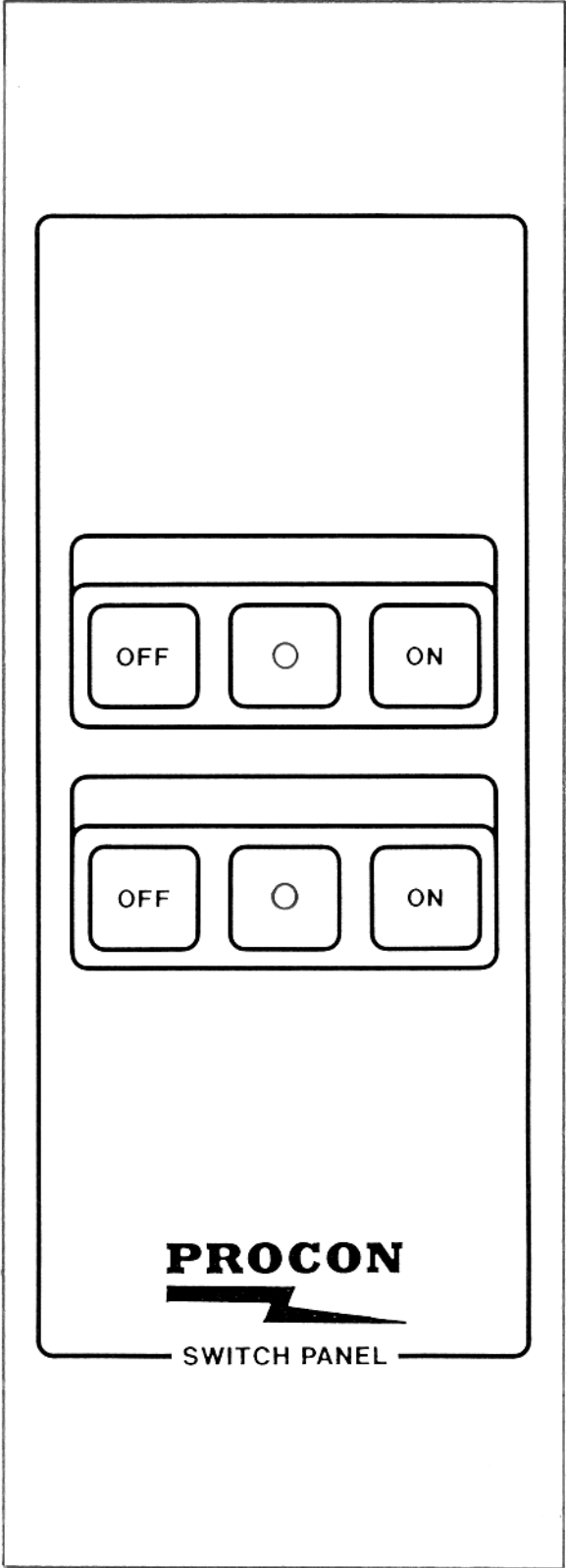


PROCON

**MODEL 900V
SWITCH PANEL**

**1/13/03
Rev 1**





OFF



ON

OFF



ON

PROCON



SWITCH PANEL

**PROCON
MODEL 900V
TABLE OF CONTENTS**

DESCRIPTION.....	1
WARRANTY.....	3
SPECIFICATIONS	4
DRAWINGS - DIMENSIONS	
44-090033-10-00	5
44-090030-10-00	6
DRAWINGS - WIRING	
13-090031-10-00	7
13-090032-10-00	8
13-090027-10-00	9
13-090026-10-00	10

i i i **NOTICE** i i i

JPC CONTROLS RESERVES THE RIGHT TO MAKE CHANGES TO ITS PRODUCTS OR SPECIFICATIONS AT ANY TIME, WITHOUT NOTICE, IN ORDER TO IMPROVE THE DESIGN OR PERFORMANCE AND TO SUPPLY THE BEST POSSIBLE PRODUCT. THE INFORMATION IN THIS MANUAL HAS BEEN CAREFULLY CHECKED AND IS BELIEVED TO BE ACCURATE. HOWEVER, NO RESPONSIBILITY IS ASSUMED FOR INACCURACIES.

<p>PROCON MODEL 900V SWITCH PANEL</p>
--

The Switch Panel function is to provide a clean and consistent technique for switching miscellaneous items. It is available in 2 and 4 switch configurations, Relay or Pneumatic Valve outputs in 24 or 120 VAC line power. The following are highlights of the switch panel:

- * LED INDICATORS FOR SWITCH STATUS
- * MOMENTARY OR LATCHING OPERATION
- * RELAY OR PNEUMATIC VALVE OUTPUTS
- * FIELD DEFINABLE SWITCH LABELS
- * WET STATION ENCLOSURE
- * SMOOTH FACE CONSTRUCTION

The following table lists the models that are available:

MODEL	VOLTAGE	NUMBER OF SWITCHES	OUTPUT
900V2AR	24VAC	2	RELAY
900V4AR	24VAC	4	RELAY
900V2AS	24VAC	2	PNEUMATIC
900V4AS	24VAC	4	PNEUMATIC
900V2BR	120VAC	2	RELAY
900V4BR	120VAC	4	RELAY
900V2BS	120VAC	2	PNEUMATIC
900V4BS	120VAC	4	PNEUMATIC

It has two or four independent electronic latching circuits, each with its own ON and OFF light touch switches and indicating LED. The unit may be configured such that, the ON and OFF switches will latch the relay or solenoid ON, or such that the ON switch is only a momentary switch.

A four bit dip switch is accessible through the side of the enclosure to select either Latched or Momentary logic for each of the four switches. The bit switch is numbered 1 thru 4 and directly correlates to the switch number.

The common and normally open contacts are brought out to the rear panel terminal block for relays. The supply and normally open pneumatic connections are brought out on 24 inch color coded tubes for the solenoids.

LIMITED WARRANTY

WARRANTY: JPC CONTROLS WARRANTS ITS NEW PRODUCTS TO BE FREE FROM DEFECTS IN MATERIALS AND WORKMANSHIP UNDER THE SERVICE FOR WHICH THEY ARE INTENDED. THIS WARRANTY IS EFFECTIVE FOR TWELVE MONTHS FROM THE DATE OF SHIPMENT.

EXCLUSIONS: THIS WARRANTY IS **IN LIEU OF** ANY OTHER WARRANTY EXPRESSED OR IMPLIED, INCLUDING, BUT NOT LIMITED TO ANY IMPLIED WARRANTY OF **MERCHANTABILITY** OR FITNESS FOR A PARTICULAR PURPOSE.

JPC CONTROLS IS NOT LIABLE FOR ANY INCIDENTAL OR CONSEQUENTIAL DAMAGES.

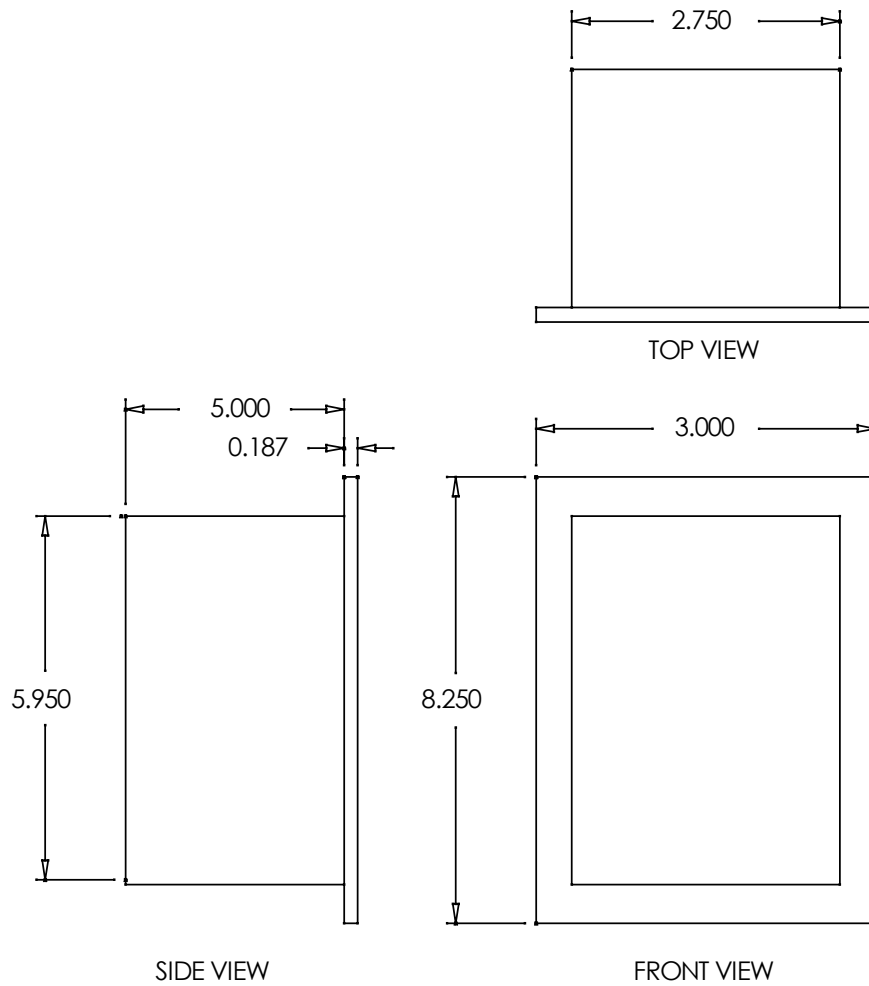
NO PERSON OTHER THAN AN OFFICER IS AUTHORIZED TO GIVE ANY OTHER WARRANTY OR ASSUME ANY LIABILITY.

REMEDIES: THE PURCHASER'S SOLE AND EXCLUSIVE REMEDY SHALL BE: (1) THE REPAIR OR REPLACEMENT OF DEFECTIVE PARTS OR PRODUCTS, WITHOUT CHARGE. (2) AT THE OPTION OF **JPC CONTROLS**, THE REFUND OF THE PURCHASE PRICE.

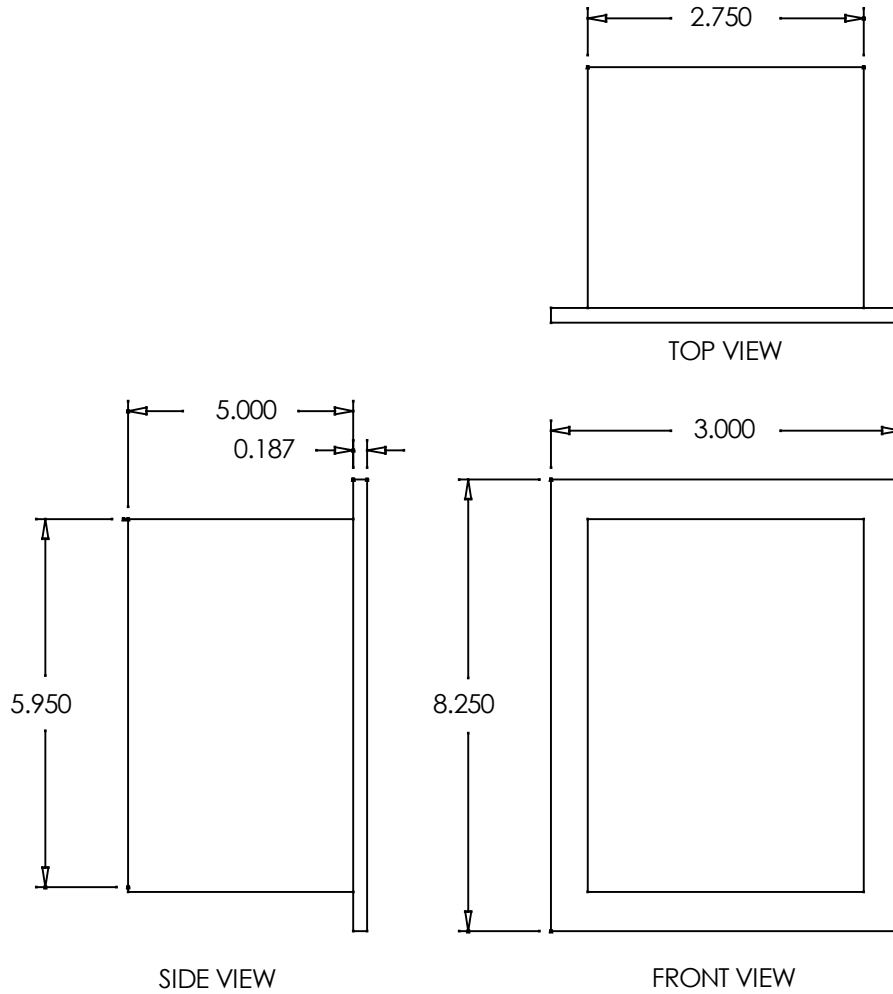
SPECIFICATIONS

MODEL 900V SWITCH PANEL

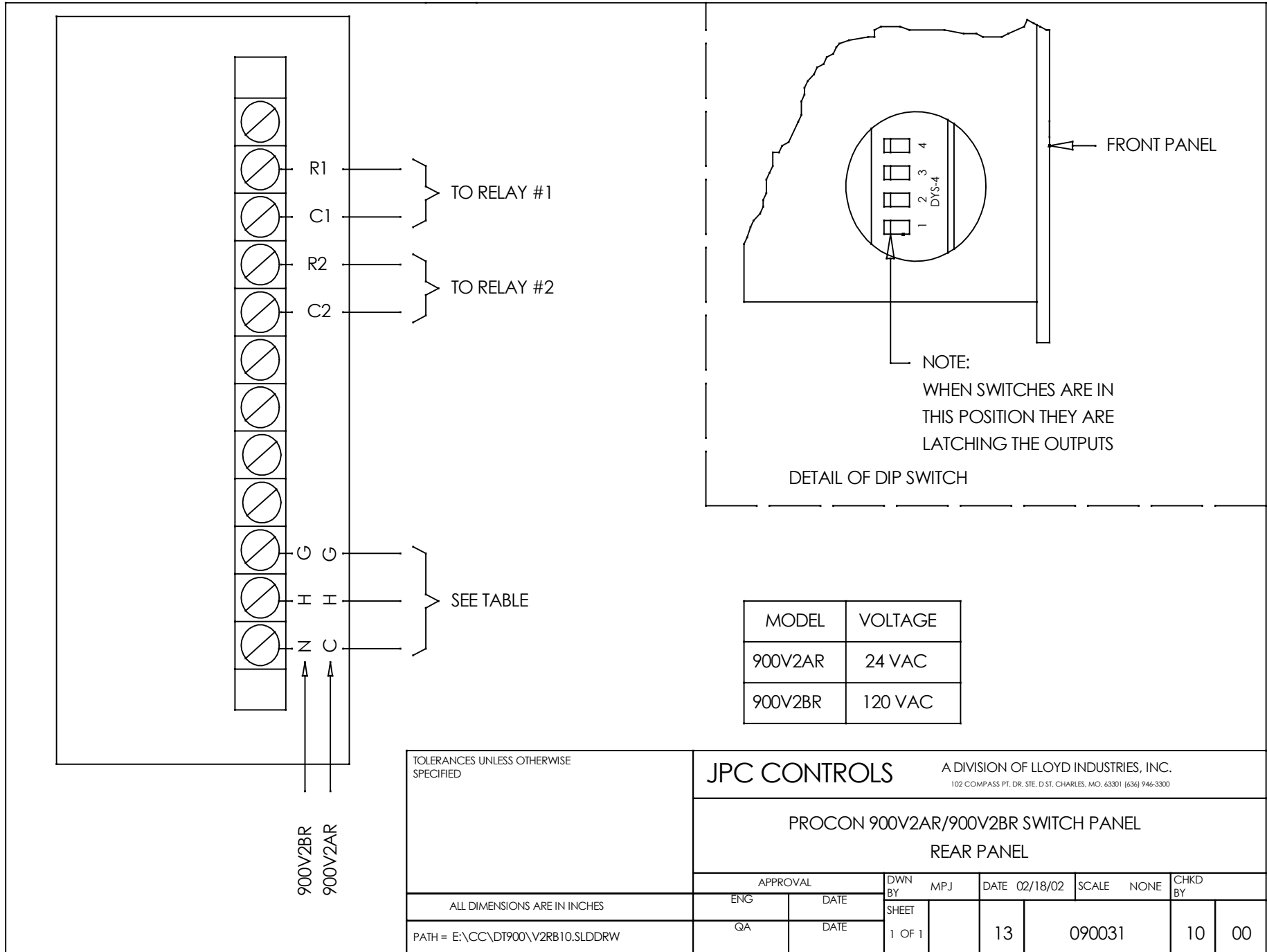
DISPLAY		Four Discrete LEDs (Red)
OPERATING RANGE		0-50 Degrees C
STORAGE RANGE		-40 to 60 Degrees C
CONSTRUCTION		Enclosure - Kydex, Black Face - PVC, Back Printed
SIZE		8.25 x 3 x 6 inches (HxWxD) 210 x 76 x 152mm
WEIGHT		≤ 2 Lbs. (.9 kg)
CONNECTION		Electrical - Rear, Screw-Type, 3/8 Inch Centers Pneumatic - Rear, Tubing, 1/16 Inch ID, PVC, Color Coded, 6 Inch
OUTPUT		Relay, (N/O-C) 1 HP, 250 VAC Pneumatic solenoid, Internal, 100 PSIG Max.
POWER	900V2AR 900V4AR 900V2AS 900V4AS	4 VA, 24 VAC ±10%, 50/60 HZ
	900V2BR 900V4BR 900V2BS 900V4BS	4 VA, 120 VAC ±10%, 50/60 HZ



TOLERANCES UNLESS OTHERWISE SPECIFIED	JPC CONTROLS								A DIVISION OF LLOYD INDUSTRIES, INC. 102 COMPASS PT. DR. STE. D ST. CHARLES, MO. 63301 (636) 946-3300			
	PROCON 900V2AR/900V2AS/900V2BR/900V2BS SWITCH PANEL PHYSICAL DIMENSIONS											
APPROVAL		DWN BY	MPJ	DATE	02/18/02	SCALE	NONE	CHKD BY				
ALL DIMENSIONS ARE IN INCHES		ENG	DATE	SHEET								
PATH = E:\CC\DT900\900V2P10.SLDDRW		QA	DATE	1 OF 1		44	090033	10	00			



TOLERANCES UNLESS OTHERWISE SPECIFIED	JPC CONTROLS		A DIVISION OF LLOYD INDUSTRIES, INC. 102 COMPASS PT. DR. STE. D ST. CHARLES, MO. 63301 (636) 946-3300			
	PROCON 900V4AR/900V4AS/900V4BR/900V4BS SWITCH PANEL PHYSICAL DIMENSIONS					
ALL DIMENSIONS ARE IN INCHES	APPROVAL ENG	DATE	DWN BY MPJ	DATE 02/18/02	SCALE NONE	CHKD BY
PATH = E:\CC\DT900\900V4P10.SLDDRW	QA	DATE	SHEET 1 OF 1	44	090030	10 00



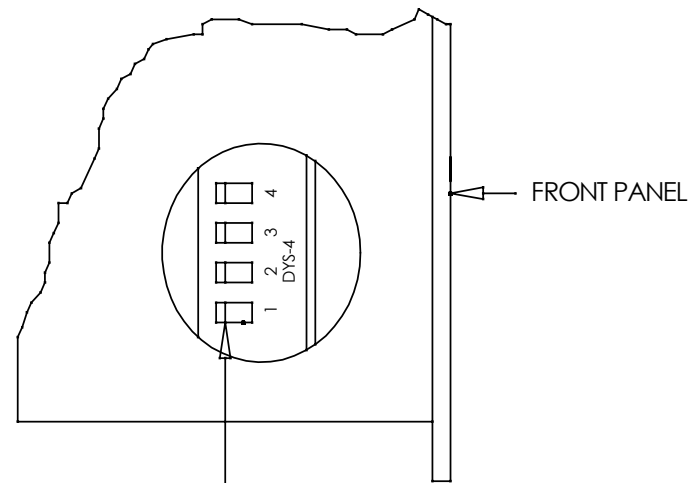
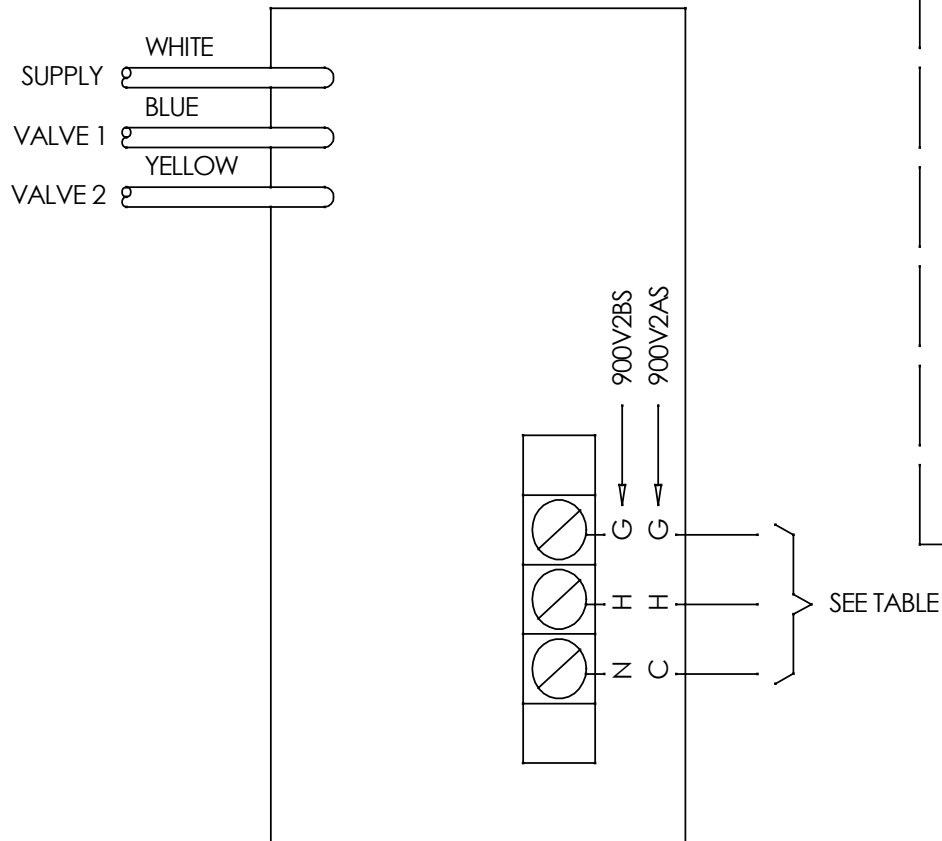
900V2BR
900V2AR

TOLERANCES UNLESS OTHERWISE SPECIFIED

ALL DIMENSIONS ARE IN INCHES

PATH = E:\CC\DT900\V2RB10.SLDDRW

<p>JPC CONTROLS</p> <p>A DIVISION OF LLOYD INDUSTRIES, INC. 102 COMPASS PT. DR. STE. D ST. CHARLES, MO. 63301 (636) 946-3300</p>		<p>PROCON 900V2AR/900V2BR SWITCH PANEL</p> <p>REAR PANEL</p>					
		APPROVAL	DWN BY	MPJ	DATE	SCALE	CHKD BY
ENG	DATE		02/18/02	NONE			
QA	DATE	1 OF 1	13	090031	10 00		



NOTE:
WHEN SWITCHES ARE IN
THIS POSITION THEY ARE
LATCHING THE OUTPUTS

DETAIL OF DIP SWITCH

MODEL	VOLTAGE
900V2AS	24 VAC
900V2BS	120 VAC

TOLERANCES UNLESS OTHERWISE SPECIFIED

JPC CONTROLS

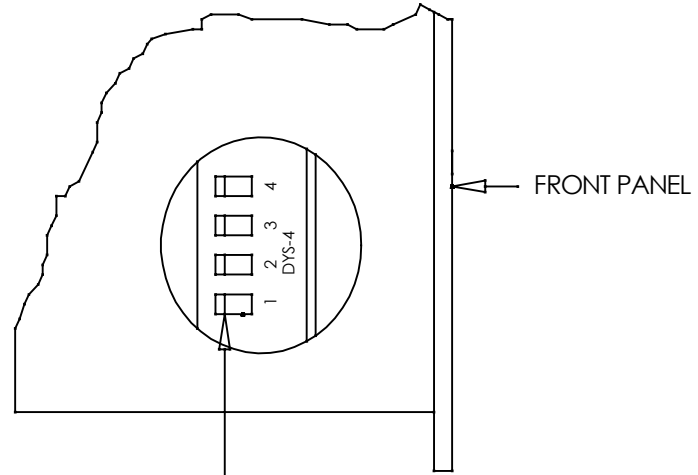
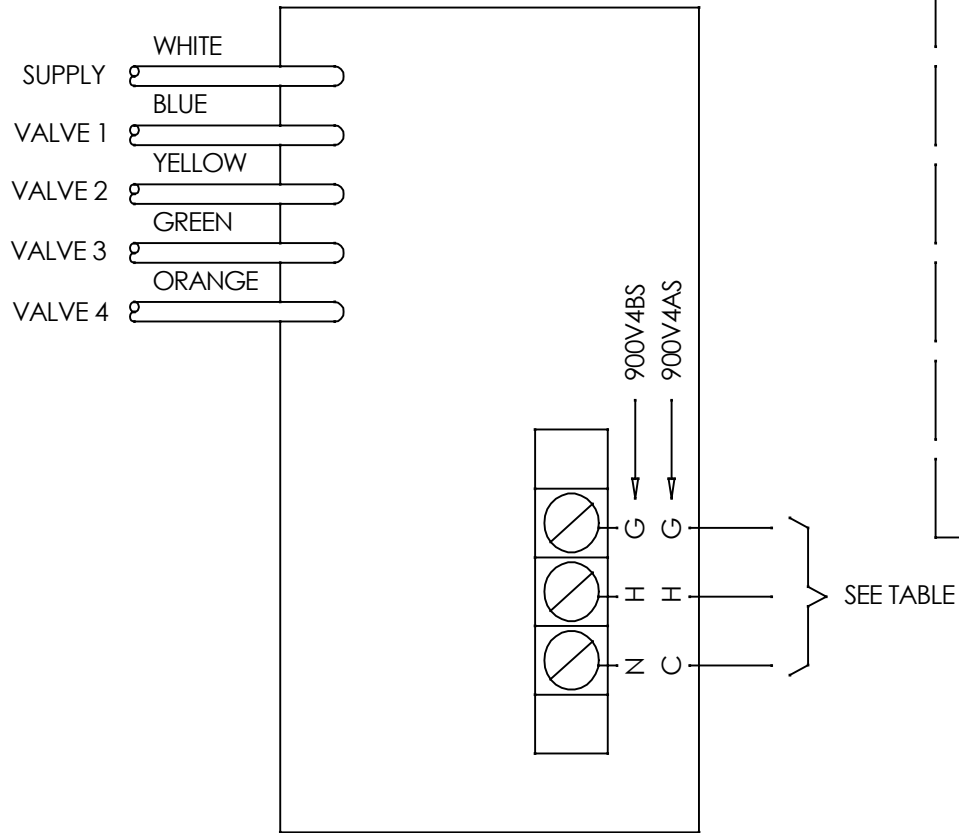
A DIVISION OF LLOYD INDUSTRIES, INC.
102 COMPASS PT. DR. STE. D ST. CHARLES, MO. 63301 (636) 946-3300

PROCON 900V2AS/900V2BS SWITCH PANEL
REAR PANEL

ALL DIMENSIONS ARE IN INCHES

PATH = E:\CC\DT900\V2SB10.SLDDRW

APPROVAL		DWN BY	MPJ	DATE	02/18/02	SCALE	NONE	CHKD BY
ENG	DATE	SHEET						
QA	DATE	1 OF 1		13	090032	10	00	

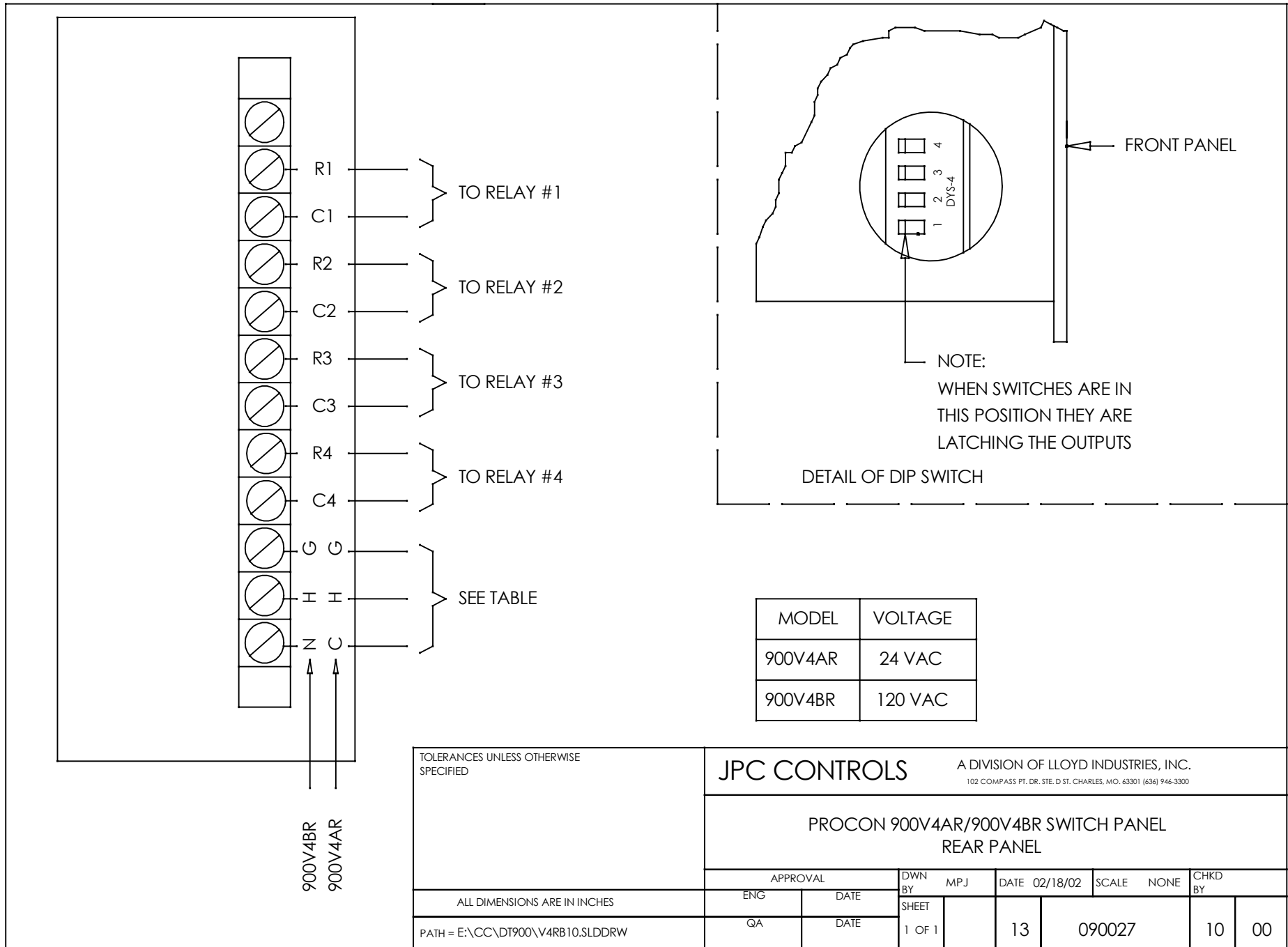


NOTE:
WHEN SWITCHES ARE IN
THIS POSITION THEY ARE
LATCHING THE OUTPUTS

DETAIL OF DIP SWITCH

MODEL	VOLTAGE
900V4AS	24 VAC
900V4BS	120 VAC

TOLERANCES UNLESS OTHERWISE SPECIFIED	JPC CONTROLS		A DIVISION OF LLOYD INDUSTRIES, INC. 102 COMPASS PT. DR. STE. D ST. CHARLES, MO. 63301 (636) 946-3300						
	PROCON 900V4AS/900V4BS SWITCH PANEL REAR PANEL								
ALL DIMENSIONS ARE IN INCHES	APPROVAL		DWN BY	MPJ	DATE	02/18/02	SCALE	NONE	CHKD BY
	ENG	DATE	SHEET						
PATH = E:\CC\DT900\V4SB10.SLDDRW	QA	DATE	1 OF 1		13		090026		10 00



MODEL	VOLTAGE
900V4AR	24 VAC
900V4BR	120 VAC

TOLERANCES UNLESS OTHERWISE SPECIFIED

JPC CONTROLS

A DIVISION OF LLOYD INDUSTRIES, INC.
102 COMPASS PT. DR. STE. D ST. CHARLES, MO. 63301 (636) 946-3300

**PROCON 900V4AR/900V4BR SWITCH PANEL
REAR PANEL**

ALL DIMENSIONS ARE IN INCHES		APPROVAL	DWN BY	MPJ	DATE	02/18/02	SCALE	NONE	CHKD BY
ENG	DATE								
QA	DATE								
PATH = E:\CC\DT900\V4RB10.SLDDRW		SHEET	1 OF 1		13	090027			10 00